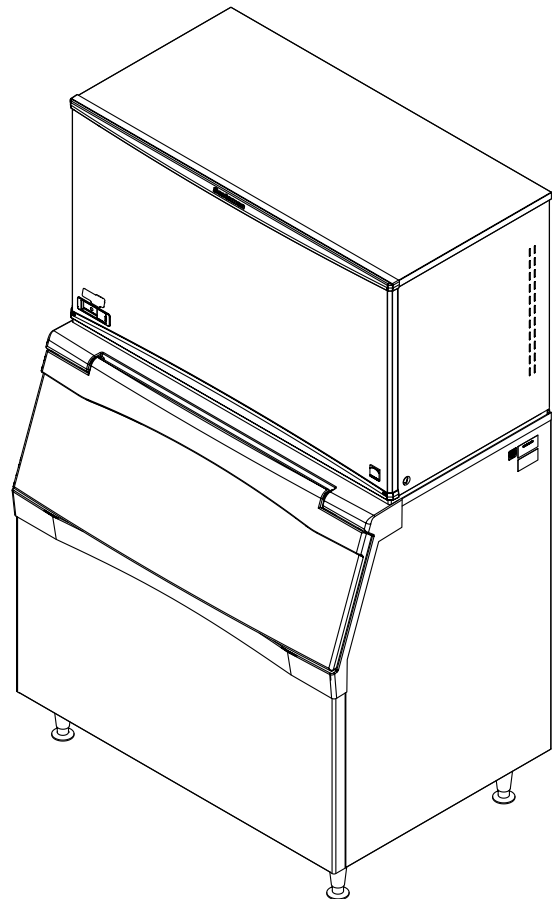
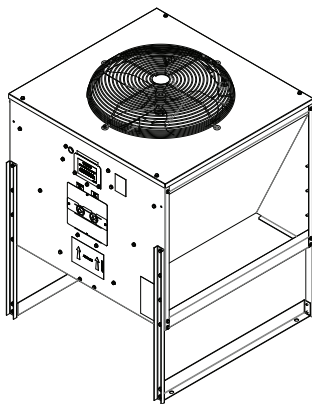




Installation and User's
Manual for Remote Condenser Modular Cuber
E Series Model C2648R



C2648 E

Remote Condenser Models - User Manual

Introduction

The design of this modular remote cuber is the result of years of experience with remote ice machine refrigeration systems. Standard features of this product include front accessible on-off switches, always-visible indicator lights, mechanical assist ice harvest for extra efficiency, automatically adjusting water purge and a control system that optimizes system operation.

This installation and user manual is divided into three sections: Installation, Use and Operation and Maintenance.

The Installation section provides the trade person with the information needed to properly install and start up this ice system. The Use and Operation section provides the user with the information needed to use the machine. The Maintenance section contains the instructions and schedules for the sanitation and cleaning of the machine.



WARNING: Cancer and Reproductive Harm
www.P65Warnings.ca.gov

Contents

Installation: Product Specifications	Page 2
Model Number Description	Page 3
Product Description and Electrical Requirements	Page 4
Ice Machine Layouts	Page 5
Water	Page 6
Panel Removal	Page 7
Remote Condenser Location	Page 8
For The Installer: Remote Condenser	Page 9
Line Set Routing and Brazing	Page 10
Plumbing Requirements	Page 11
Electrical	Page 12
Final Check List:	Page 13
Initial Start Up	Page 14
Adjustments	Page 15
Use and Operation	Page 16
Switch Panel Area	Page 17
Options and Other Information	Page 18
Cleaning, Sanitation and Maintenance	Page 19
Remote condenser and other maintenance	Page 21
What to do before calling for service	Page 22

Note the Caution and Warning symbols when they appear on the product or in this manual. They indicate potential hazards.

Keep this manual for future reference.

C2648 E

Remote Condenser Models - User Manual

Installation: Product Specifications

Location Limitations

This ice system is made up of three parts, the ice making machine, or head; the remote condenser; and the interconnecting tubing. The ice making machine must be installed indoors, in a controlled environment. Space must be provided near the machine for service access. The remote condenser may be installed above or below the ice machine, per the limits stated later in this manual. The remote condenser may be installed outdoors within the temperature limits listed below. The interconnecting tubing must be installed per the directions stated in this manual, and the amount of tubing exposed to uncontrolled temperatures must be minimized.

Space Limitations

Although the machine will function with no clearance to the top and sides, some space must be allowed for service access. Building the machine in with no access will cause higher service cost, in many cases this extra cost may not be covered by warranty.

Environmental Limitations, ice machine:

	Minimum	Maximum
Air temperature	50°F.	100°F.
Water temperature	40°F.	100°F.
Water pressure	20 psi	80 psi

Remote condenser

	Minimum	Maximum
Air temperature	-20°F.	120°F.

Power Supply

	Minimum	Maximum
208-230 volt model	198 volts	253 volts

Warranty Information

The warranty statement for this product is provided separately from this manual. Refer to it for applicable coverage. In general warranty covers defects in material and workmanship. It does not cover maintenance, corrections to installations, or situations when the ice machine is operated in circumstances that exceed the limitations printed above.

Product Information

The machine is a specialized version of a modular cuber. A modular cuber does not include any ice storage, it is designed to be placed onto an ice storage bin. Many installations only require the matching bin, but some may need an adapter to be placed between the ice machine and the bin.

Additionally, the machine must be connected to the correct remote condenser and use the correct pre-charged tubing. The machine is supplied with a full refrigerant charge, field charging is not required.

This product cannot be stacked.

C2648 E

Remote Condenser Models - User Manual

Model Number Description

Example

- C2648SR-3E
- C=cuber
- 24=nominal capacity in 100s of pounds
- 48=nominal width of cabinet in inches
- S=cube size, S=small or half dice,
- M=medium or full dice
- R=condenser type. R=Remote
- -3=Electrical code. = 208-230/60/3
- E=series revision code.

Note: In some areas of this manual model numbers may include only the first five characters of the model number, meaning that cube size, condenser type and voltage differences are not critical to the information listed there.

Options:

There are several options available for field installation. They include:

- Vari-Smart Adjustable ice level system
- Smart-Board Advanced feature control

Some installations require bin or dispenser adapters. See the table below.

Standard bin applications – Adapter information

Model	BH1100, BH1300 or BH1600
C2648	Adapter panels included with bin, no adapter needed

Other bins and applications:

Take note of the depth of the machine. Slope front bins may not be deep enough to allow the bin door to rest open against the machine. Upright bins are recommended.

Note the drop zone and optional ultrasonic sensor locations in the illustrations. Drop zone hole must be 20.25" deep.

Scotsman ice systems are designed and manufactured with the highest regard for safety and performance. They meet or exceed the standards of UL and NSF.

Scotsman assumes no liability of responsibility of any kind for products manufactured by Scotsman that have been altered in any way, including the use of any part and/or other components not specifically approved by Scotsman.

Scotsman reserves the right to make design changes and/or improvements at any time. Specifications and design are subject to change without notice.

C2648 E

Remote Condenser Models - User Manual

Product Description and Electrical Requirements

Ice Machine Dimensions w" x d" x h"	Model	Electrical	Use condenser	Minimum Circuit Ampacity	Maximum Fuse* Size	Suggested Fuse* Size
48 x 28 x 31	C2648SR-3	208-230/60/3	PRC241-32	20.1	30	30
same	C2848MR-3	208-230/60/3	PRC241-32	20.1	30	30

Remote Condenser Footprint: On center mounting hole spread: 27.57" w x 33.38" d. See page 5.

Minimum bin top opening: 20.5" x 40.5" includes drop zones and ultrasonic sensor location. See page 5.

*Or HACR circuit breakers.

Table notes: Series revision code omitted. All the listed condensers include a headmaster valve.

Ratings include the remote condenser motor, as it is designed to be powered by the ice machine. If connecting remote condenser independently of the ice machine, use the information on the condenser's dataplate for fuse and wire sizes.

Condensers are UL listed for these model ice machines.

Central Condenser (Rack) Coils

The ice machine may be connected to a central condenser coil. The requirements are:

- Coil – not previously used with mineral oil system. Virgin coil preferred.
- Correct size (internal volume) and capacity (BTUH). Contact Scotsman for data.
- Includes a headmaster valve for discharge pressure control rated at 217 PSIG.
- Fan motor on all the time or controlled to be on whenever the ice machine is operating.
- U.L. listed for the ice machine
- Non-Scotsman condensers must have prior Scotsman Engineering approval for warranty coverage to be in effect.

Refrigerant tubing kits:

The ice making head's and the remote condenser's refrigeration circuits must be connected. They are designed to be connected using Scotsman refrigerant tubing, supplied in kits of liquid and discharge tubes. Several lengths are available, order the one that just exceeds the length needed for the site.

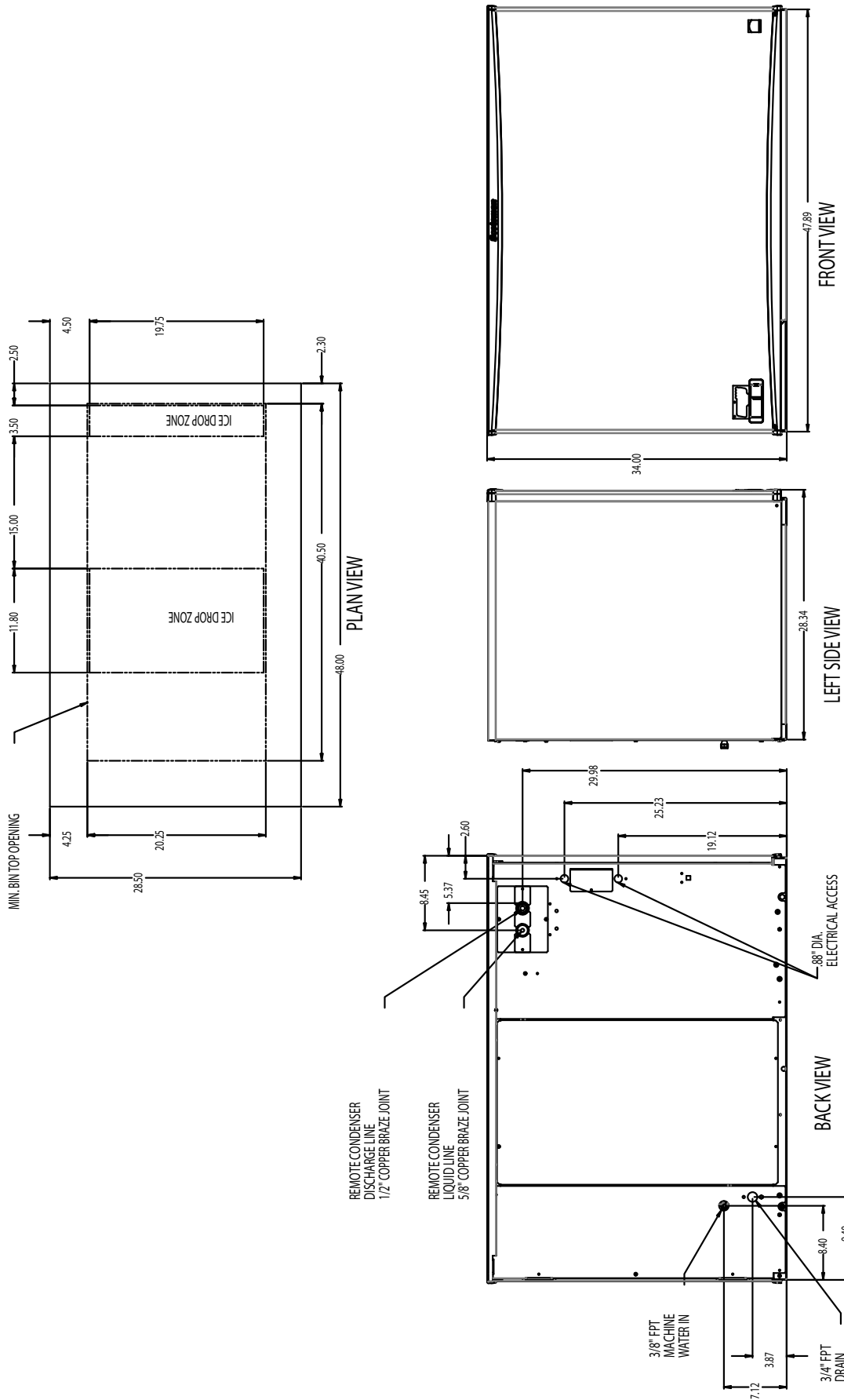
10'	20'	40'	75'
BRTEL10	BRTEL25	BRTEL40	BRTEL75

No additional refrigerant is required.

C2648 E

Remote Condenser Models - User Manual

Ice Machine Layouts



C2648 E

Remote Condenser Models - User Manual

Water

The quality of the water supplied to the ice machine will have an impact on the time between cleanings and ultimately on the life of the product. There are two ways water can contain impurities: in suspension or in solution. Suspended solids can be filtered out. In solution or dissolved solids cannot be filtered, they must be diluted or treated.

Water filters are recommended to remove suspended solids. Some filters have treatment in them for suspended solids. Check with a water treatment service for a recommendation.

Scotsman filters:

A triple head filter is recommended. Either the Scotsman SSM3 taste and odor filter system, or the ADS-AP3 AquaPatrol system.

Water flow is 2.5 GPM when filling the reservoir.

RO water:

This machine can be supplied with Reverse Osmosis water, but the water conductivity must be no less than 10 microSiemens/cm.

Potential for Airborne Contamination

Installing an ice machine near a source of yeast or similar material can result in the need for more frequent sanitation cleanings due to the tendency of these materials to contaminate the machine.

Most water filters remove chlorine from the water supply to the machine which contributes to this situation. Testing has shown that using a filter that does not remove chlorine, such as the Scotsman Aqua Patrol, will greatly improve this situation, while the ice making process itself will remove the chlorine from the ice, resulting in no taste or odor impact. Additionally, devices intended to enhance ice machine sanitation, such as the Scotsman Aqua Bullet, can be placed in the machine to keep it cleaner between manual cleanings.

Water Purge

Cube ice machines use more water than what ends up in the bin as ice. While most water is used during ice making, a portion is designed to be drained out every cycle to reduce the amount of hard water scale in the machine. That's known as water purge, and an effective purge can increase the time between needed water system cleaning. In addition, this product is designed to automatically vary the amount of water purged based on the purity of the water supplied to it. The water purge rate can also be set manually.

Adjustments of purge due to local water conditions are not covered by warranty.

C2648 E

Remote Condenser Models - User Manual

Panel Removal

1. Locate and loosen the two screws at the bottom edge of the front panel.
2. Pull the front panel out at the bottom until it clears the bin.
3. Lower the front panel down and off the machine.
4. Remove two screws from the front corners of the top panel.
5. Lift up the front of the top panel, push it back an inch, then lift to remove.
6. Locate and remove the screws holding each side panel to the base.
7. Pull the side panel forward to release it from the back panel.

This manual covers several models. The model number on the ice machine can be found either on the dataplate, which is on the back panel, or the serial number tag, which is behind the front panel. See the illustration for the locations of the dataplate and the serial number tag.

The remote condenser has a separate model and serial number. Its model and serial number is on the dataplate on the condenser near the line set fittings.

Write the model and serial number of the ice machine here:

Write the model and serial number of the remote condenser here:

Write the model and serial number of the ice storage bin here:

Write the day of initial start up here: That day starts the warranty period.

Uncrate and Set Up

Begin with the ice storage bin. Uncrate and attach legs. Check the bin top gasket for tears or gaps. If recycling an older bin, replace the gasket or repair with food grade sealant prior to placing the ice machine on the bin.

Install the bin top adapter if one is required for the application.

If the ice machine has not been unpacked, do so

now. Remove the carton from the skid. Cut away any shipping strapping. Lift the ice machine off the skid directly onto the bin.

Note: The machine is heavy. Use a mechanical lift. If lifting from the front, be sure that fork tines are under the front and back of the cabinet. If lifting from the side, be sure to have tines under the front and back. Do not lift on the sump bottom.

Scotsman BH1100, BH1300, BH1600: Position back of ice machine about 2 3/8" from back of bin.

Secure the ice machine to the bin with the hardware provided (two metal Z straps and four bolts).

C2648 E

Remote Condenser Models - User Manual

Remote Condenser Location

Use the following for planning the placement of the condenser relative to the ice machine

Location Limits - condenser location must not exceed ANY of the following limits:

- Maximum rise from the ice machine to the condenser is 35 physical feet
- Maximum drop from the ice machine to the condenser is 15 physical feet
- Physical line set maximum length is 100 feet.
- Calculated line set length maximum is 150.

Calculation Formula:

- Drop = $dd \times 6.6$ (dd = distance in feet)
- Rise = $rd \times 1.7$ (rd = distance in feet)
- Horizontal Run = $hd \times 1$ (hd = distance in feet)
- Calculation: Drop(s) + Rise(s) + Horizontal

Run = $dd+rd+hd$ = Calculated Line Length

Configurations that do NOT meet these requirements must receive prior written authorization from Scotsman.

Do NOT:

- Route a line set that rises, then falls, then rises.
- Route a line set that falls, then rises, then falls.

Calculation Example 1:

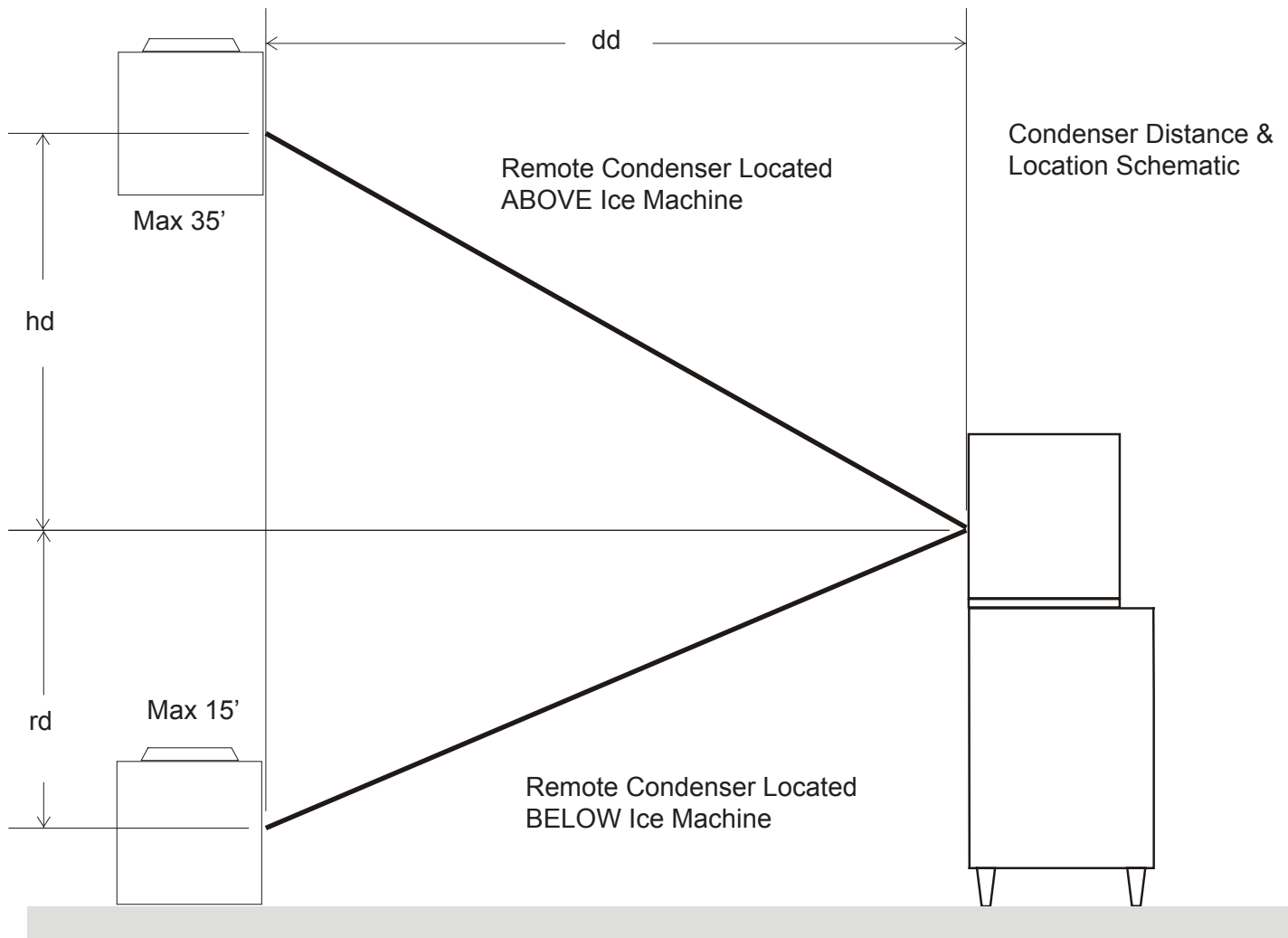
The condenser is to be located 5 feet below the ice machine and then 20 feet away horizontally.

$5 \text{ feet} \times 6.6 = 33$. $33 + 20 = 53$. This location would be acceptable

Calculation Example 2:

The condenser is to be located 35 feet above and then 100 feet away horizontally. $35 \times 1.7 = 59.5$.

$59.5 + 100 = 159.5$. 159.5 is greater than the 150 maximum and is NOT acceptable.



C2648 E

Remote Condenser Models - User Manual

For The Installer: Remote Condenser

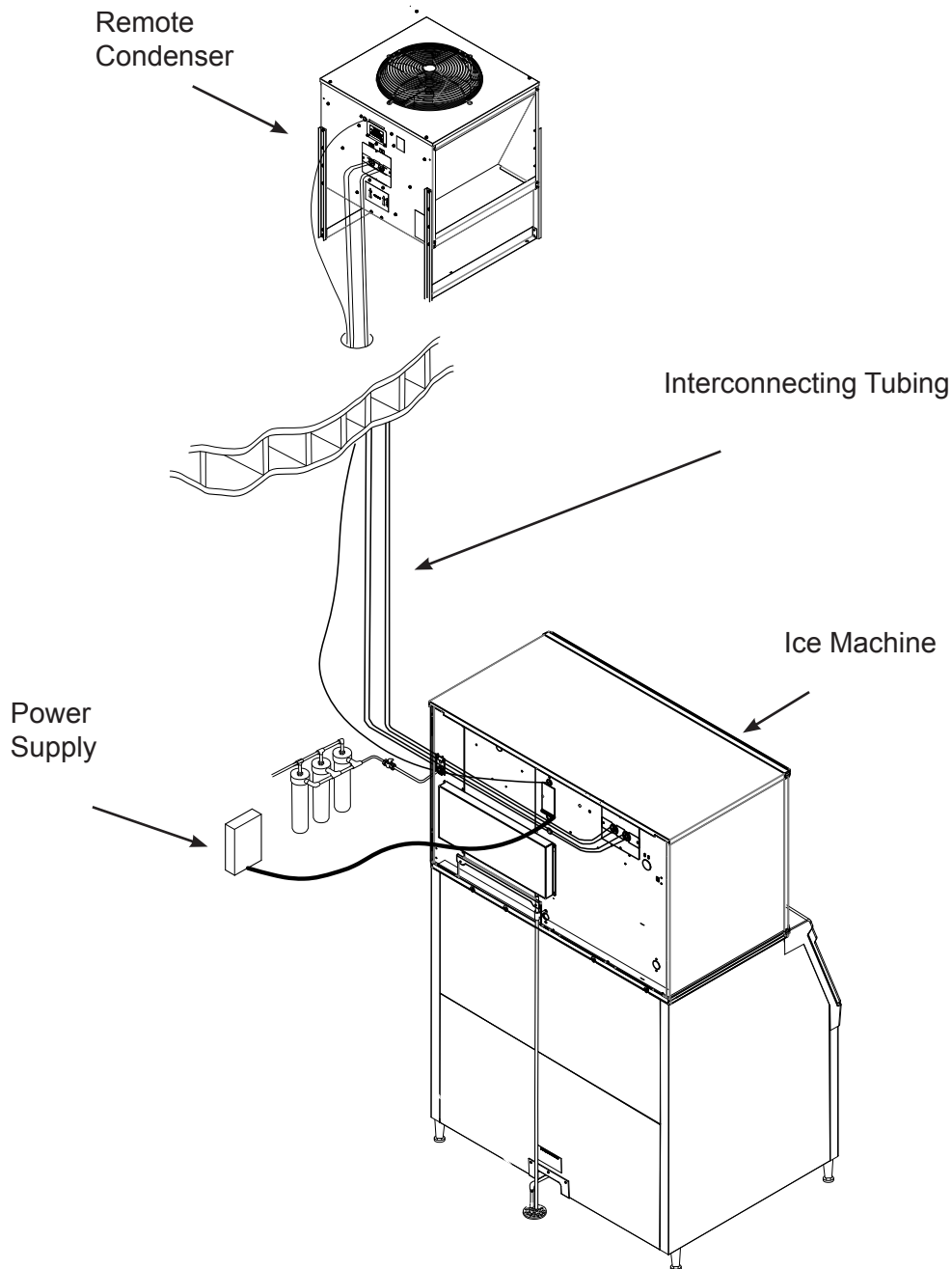
Locate the condenser as near as possible to the interior location of the ice machine.

Note: The location of the condenser is relative to the ice machine is LIMITED by the specification on the prior page.

Meet all applicable building codes.

Roof Attachment

Install and attach the remote condenser to the roof of the building, using the methods and practices of construction that conform to the local building codes, including having a roofing contractor secure the condenser to the roof.



C2648 E

Remote Condenser Models - User Manual

Line Set Routing and Brazing

Do not connect the refrigerant tubing until all routing and forming of the tubing is complete. Final connections requires brazing, steps must be performed by an EPA certified type II or higher technician.

The Lineset of tubing contains a 5/8" diameter liquid line, and a 1/2" diameter discharge line.

Note: The openings in the building ceiling or wall, listed in the next step, are the minimum sizes recommended for passing the refrigerant lines through.

2. Have the roofing contractor cut a minimum hole for the refrigerant lines of 1 3/4". Check local codes, a separate hole may be required for the electrical power supply to the condenser.

Caution: Do NOT kink the refrigerant tubing while routing it.

At Condenser:

1. Remove protective plugs from both connections and vent the nitrogen from the condenser.
 2. Remove the tubing access bracket to allow more room for brazing.
 3. Route the lineset tubes to there connection.
 4. Clean tubing ends and position into stubs.
-

Note: Be sure tube and stubs are round, dress with swage tool if needed.

At Head:

1. Remove the tubing access bracket to allow more room for brazing.
1. Confirm connection ball valves are fully closed.
2. Remove protective plugs from both connections.
3. Remove caps from access valve connections.
4. Remove cores from access valves.
5. Connect refrigeration hoses to access valves.
6. Connect dry nitrogen source to liquid line connection.
7. Shorten tubing to correct length, clean ends and

insert them into valve stubs.

Note: Be sure tube and stubs are round, dress with swage tool if needed.

8. Add heat sink material to ball valve body.
9. Open nitrogen and flow 1 psi nitrogen into liquid line tube and braze the liquid line and discharge line tubes to the valve stubs.
10. With nitrogen flowing braze the liquid and discharge line connections.

At Condenser:

1. Braze the liquid and discharge line connections.

At Head:

1. Remove nitrogen source.
 2. Return valve cores to access valves.
 3. Connect vacuum pump to **both** access valves and evacuate the tubing and head to at least a 300 micron level.
 4. Remove vacuum pump and add R-404A to both tubes to provide a positive pressure.
 5. Leak check the all braze connections and repair any leaks.
 6. Open both valves to full open.
-

Note: The full refrigerant charge is contained in the receiver of the ice machine.

C2648 E

Remote Condenser Models - User Manual

Plumbing Requirements

All models require connection to cold, potable water. A hand actuated valve within site of the machine is required. There is a single 3/8" FPT inlet water connection on the back of the cabinet.

Water Filters

Install a new cartridge if the filters were used with a prior machine.

Drains

All models require drain tubing to be attached to them. There is a single 3/4" FPT drain fitting in the back of the cabinet.

Install new tubing when replacing a prior ice machine, as the tubing will have been sized for the old model and might not be correct for this one.

1. Connect water supply to water inlet fittings.

2. Connect drain tubing to drain fitting.

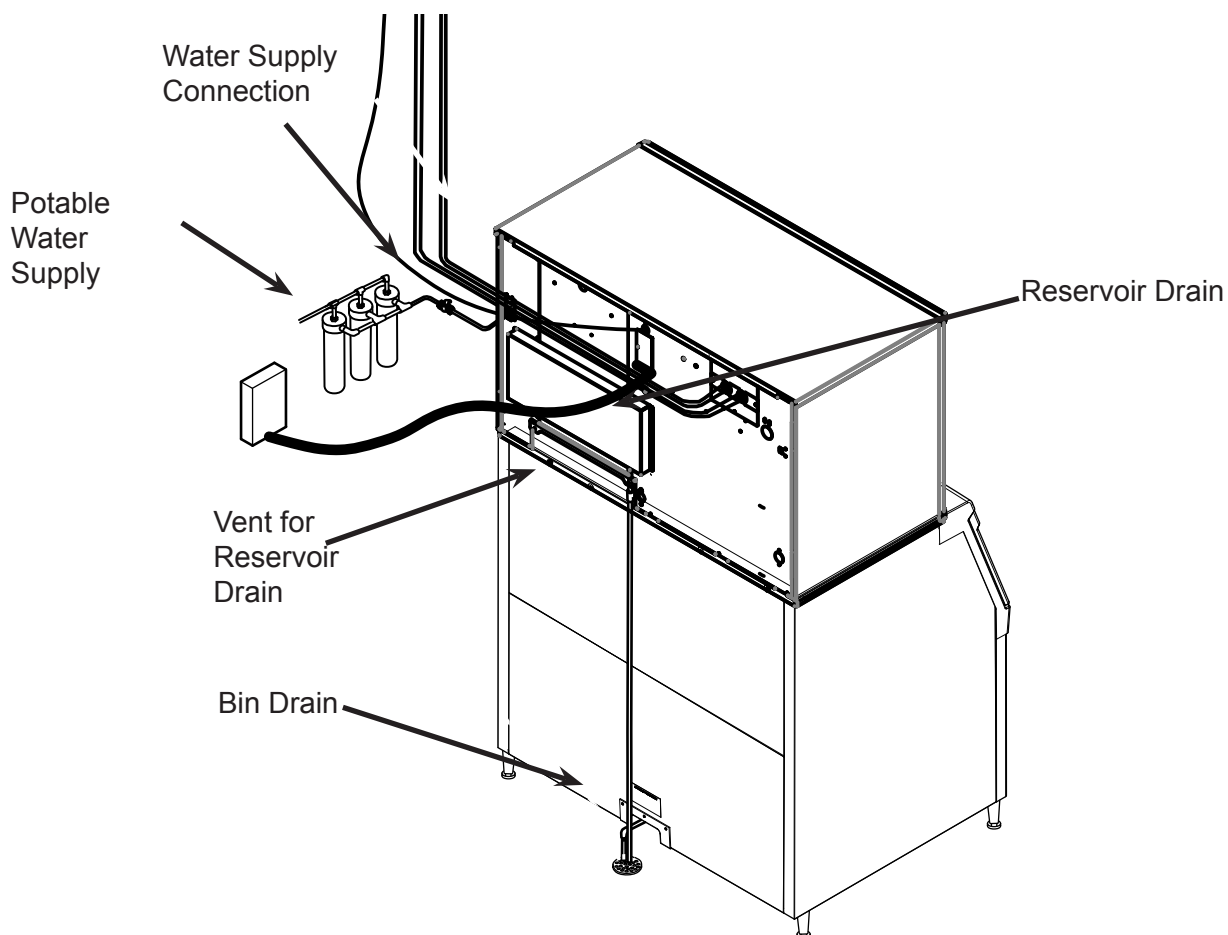
3. Route the drain tubing to building drain. Follow local codes for air gap.

4. Use rigid drain tubes and route them separately – do not Tee into the bin's drain.

Vent the reservoir drain. A vertical vent at the back of the drain, extended about 8 – 10" will allow the gravity drain to empty and also keep any surges during draining from discharging water.

Horizontal runs of drain tubing need a 1/4" per fall per foot of run for proper draining.

Follow all applicable codes.



C2648 E

Remote Condenser Models - User Manual

Electrical

The machine is not supplied with a power cord, one must either be field installed or the machine hard-wired.

The dataplate on the back of the cabinet details the power requirements, including voltage, phase, minimum circuit ampacity and maximum fuse size.

HACR type circuit breakers may be used in place of fuses. Extension cords are not permitted. Use of a licensed electrician is recommended.

The ice maker is designed to operate on its own electrical circuit and must be individually fused.

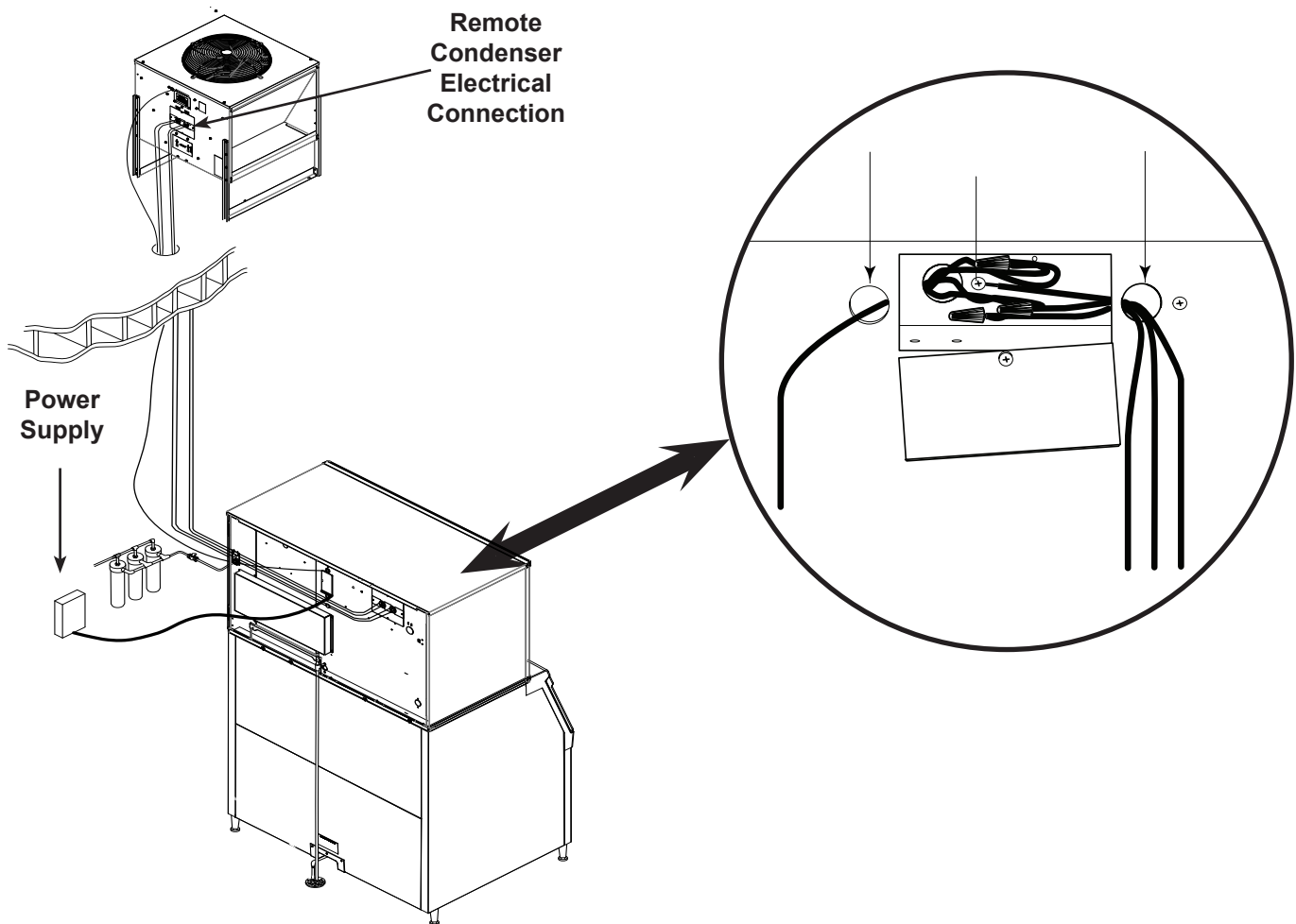
Voltage variation must not exceed the limits listed earlier.

The remote condenser is designed to be powered from the ice machine. A separate knockout hole has been provided near the ice maker electrical junction box.

Electrical connections are made inside the junction box in the back panel of the ice machine.

1. Remove the junction box cover and route the power cord through the access hole and properly attach the power supply wires to the leads in the junction box.
2. Attach the remote condenser fan motor wires to the wires in the junction box tagged "fan motor leads".
3. Install field supplied strain reliefs per code. Attach a ground wire to the ground connection in the junction box.
4. Check voltage when complete.
5. Return the junction box cover to its original position and secure with the original screws.

Follow all applicable local, state and national codes.



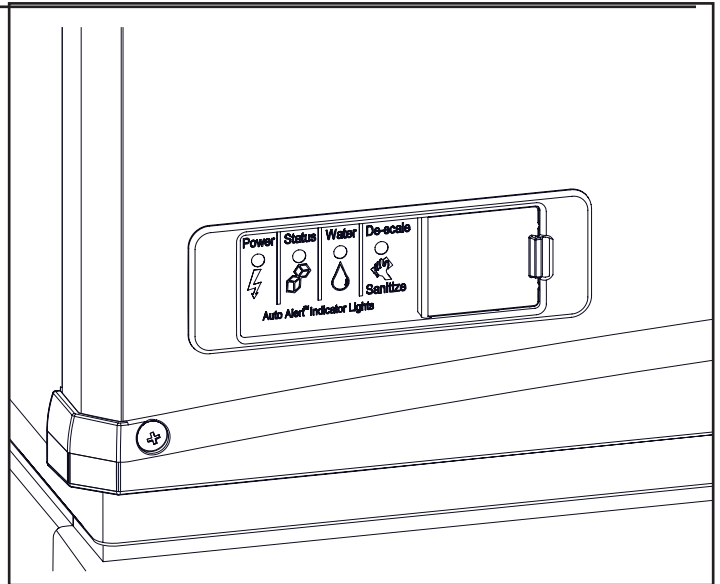
Electrical Connections

C2648 E

Remote Condenser Models - User Manual

Final Check List:

1. Is the unit located indoors in a controlled environment?
2. Is the unit located where it can receive adequate cooling air?
3. Has the correct electrical power been supplied to the machine?
4. Have all the water supply connections been made?
5. Have all the drain connections been made?
6. Has the remote condenser been properly installed?
7. Has the interconnecting tubing been properly routed between the remote condenser and the ice machine?
8. Have the linesets been properly braised and confirmed to be leak free.
9. Has the power supply wire from the ice machine to the remote condenser been properly run and connected?
10. Has the unit been leveled?
11. Have all unpacking materials been removed?
12. Is the water pressure adequate?
13. Have the drain connections been checked for leaks?
14. Has the bin interior been wiped clean or sanitized?
15. Have any water filter cartridges been replaced?
16. Have all required kits and adapters been properly installed?



Lower Light and Switch Panel

This user accessible panel provides important operational information and duplicates the lights and switches on the controller. It also allows access to the On and Off buttons that operate the ice machine.

Sometimes access to the switches should be limited to prevent unauthorized operation. For that purpose a fixed panel is shipped in the hardware package. The fixed panel cannot be opened.

To install the fixed panel:

1. Remove the front panel and remove the bezel.
2. Spread the bezel frame open and remove original door, insert fixed panel into bezel. Be sure it is in the closed position.
3. Return bezel to panel and install panel on unit.

C2648 E

Remote Condenser Models - User Manual

Initial Start Up

Remove front and left side panels. Check machine for any packing or wires rubbing moving parts. Note location of control board in lower left corner of the machine's front.

1. Switch on the electrical power to the machine.
2. Observe that some of the control's indicator lights glow and its display shows *0*.
3. Wait 4 hours for the compressor's crankcase heater to warm up the oil in the compressor.
1. Open the water supply valve.
2. Turn the receiver's outlet valve to the full open position.
3. Push and release the ON button of the **lower left corner switch panel**.

The indicator light will begin to blink *F*. The purge valve will open and the water pumps will start. The inlet water valve will open to add water to the reservoir. After a few seconds the purge valve will close and the water pumps will stop. Water will flow into the machine until the reservoir is full. The hot gas valves and harvest assist devices will activate and the liquid line solenoid valve will open, then the compressor, remote fan motor and water pumps will start. The display will show a continuous *F*. Five seconds later the hot gas valves will close and the harvest assist devices will return to their standby positions. Warm air will be discharged from the condenser coil.

4. During the Freeze cycle move each curtain to confirm the controller is getting the signal from the curtain switch. Two of them will cause the SW1 or SW2 light on the control board to blink ON when the curtain moves away from the evaporator and OFF. One of the curtains will cause the period in the display code to blink ON when the curtain is moved away and OFF when returned to its normal position.
5. Note: Moving the curtain during the Freeze cycle has no affect on unit operation.
6. Observe the Ready for Harvest indicator light. It may blink early in the freeze cycle, that is normal. The control will ignore that signal for the first 6 minutes of freeze.

7. When the ice has frozen enough, the Ready for Harvest indicator light will be on steady. After it's been on steady for a few seconds Harvest will begin.

The display shows an *H*. The hot gas valves open and the harvest assist mechanisms are activated. The purge valve opens to drain some water, when it does the inlet water valve opens to refill the reservoir. After a few seconds the purge valve closes but the inlet water valve continues to fill the reservoir. Harvest continues until the ice is released as a unit from each evaporator and forces each curtain to open.

8. When all curtains have opened and re-closed the controller returns the unit to a freeze cycle.
9. Check the ice harvested for proper bridge thickness. The ice bridge is factory set at 3/16 inch. If needed, adjust bridge thickness. Do NOT make it too thin.
10. Determine the water purge setting from the table on the next page. If desired, change the setting to accommodate the local water conditions.
11. Return the panels to their normal positions and secure them to the machine.
12. Instruct the user in the operation of the machine and its maintenance requirements.
13. Fill out and mail the warranty registration form or go on line at Scotsman's website, www.scotsman-ice.com and register it there.

Typical Ice Making Cycle Times (minutes)

Model	70°F. cond air /	90°F. cond air /
	50°F. water	70°F. water
C2648R	11 - 13	13 - 15

Listed times are for clean machines. Cycle times at startup will be longer until the system stabilizes.

C2648 E

Remote Condenser Models - User Manual

Adjustments

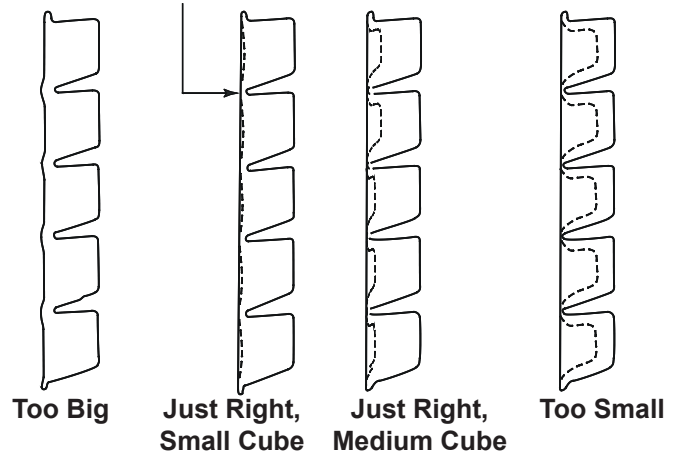
Bridge Thickness - For A Service Tech Only

1. Push and hold Off till the machine stops.
2. Remove evaporator cover.
3. Remove left curtain.
4. Use a box wrench and rotate the bridge thickness adjustment screw in 1/8 turn increments CW to increase bridge thickness. Rotate CCW to decrease bridge thickness.

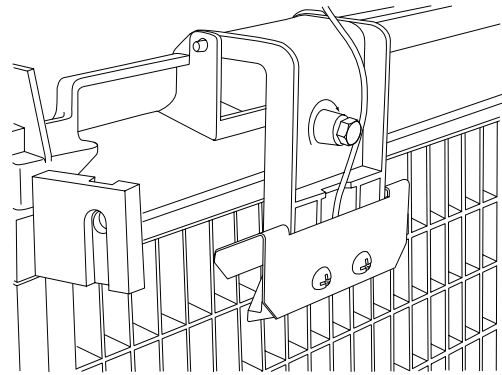
Caution: Do not make the bridge too thin or the machine will not harvest properly. Bridge thickness adjustments are not covered by warranty.

5. Return curtain to its normal position.
6. Push and release the On button. Check next harvest of ice. Repeat steps 1-6 if needed.

1/8 to 3/16" bridge



Ice Bridge Thickness Measurement



Ice Thickness Sensor

Water purge setting

The water purge is factory set to the automatic position, suitable for most water conditions. The setting can be changed to one of 5 manual settings or left on automatic.

purge setting	1 - Minimum	2 - Moderate	3 - Standard	4 - Heavy	5 - Maximum	A - Automatic
Water Type	RO water or equivalent		Factory Setting for typical water		High TDS water	Any with conductivity not less than 10 microSiemens/cm

To set:

1. Switch the machine OFF by holding the Off button in until a number or the letter A shows on the display.
2. Press and release the On button repeatedly until the number on the display corresponds to the desired setting.
3. Press and release the Off switch again to return to the normal control state.

C2648 E

Remote Condenser Models - User Manual

Use and Operation

Once started, the ice machine will automatically make ice until the bin or dispenser is full of ice. When ice level drops, the ice machine will resume making ice. There are four indicator lights at the front of the machine that provide information on the condition of the machine.

External Indicator Lights:

- Power
- Status
- Water
- Clean

	Indicator Lights & Their Meanings			
	Power	Status	Water	De-Scale & Sanitize
Steady Green	Normal	Normal – bin full or making ice	-	-
Blinking Green	Self Test Failure	Switching on or off	-	-
Blinking Red	-	Diagnostic shutdown or, if making ice, temperature sensor failure	Lack of water	-
Yellow	-	-	-	Time to de-scale and sanitize
Blinking Yellow	-	-	-	In Cleaning mode
Light off	No power	Switched off	Normal	Normal

If the Water light is on, the machine has sensed a lack of water. Check the water supply to the machine. The water may have been shut off or the water filter cartridges need to be changed.

If the Clean light is on, the machine has determined that it may need to be cleaned. Contact an authorized Scotsman service agent and have the machine cleaned, de-scaled and sanitized.

Other Indicators

Removal of the front panel allows review of the Code Display and Component Indicator Lights.

Note: A Component Indicator Light switches ON to indicate that the component is operating.

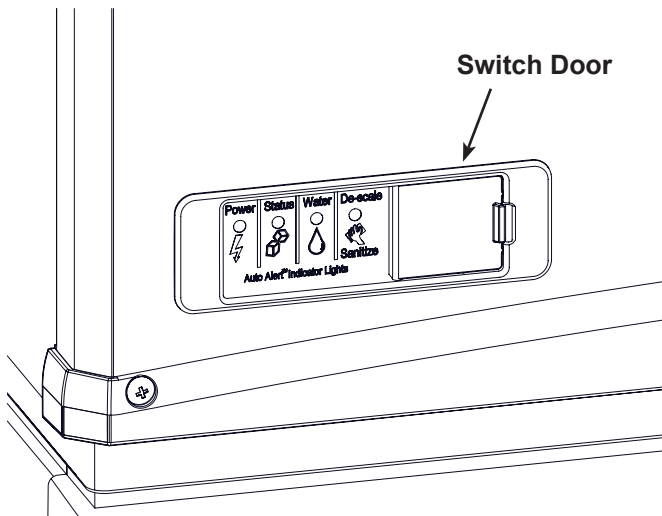
Note: There are three Curtain Switch lights, SW1, SW2 and the Period in the display code. A curtain switch light is ON when a curtain is either open or not present.

C2648 E

Remote Condenser Models - User Manual

Switch Panel Area

The On and Off switches are front accessible at the lower left corner.



To switch the machine OFF, push and release the Off button. The machine will shut off at the end of the next cycle.

To switch the machine ON, push and release the On button. The machine will go through a start up process and then resume ice making.



Control Options

There are two optional, field installed controls that can be on this machine.

- KVS Adjustable ice level control
- KSBU Advanced Feature control

Adjustable ice level control (optional)

When this option is present there is an adjustment knob and an additional indicator light to the right of the controller's switches near the top of the unit.

The ultrasonic ice level control allows control of the point that the ice machine stops making ice. Reasons for this include:

- Seasonal changes in ice used
- Planning to sanitize the bin
- Faster turnover for fresher ice

Use of adjustable ice level control

There are several positions the ice level can be set to, including Off (knob and label indicators lined up), where it fills the bin until the standard bin control shuts the machine off. See the kit's instructions for complete details.



Rotate the adjustment post to the desired ice level. The machine will fill up to that level and when it shuts off the Bin Full indicator light next to the adjustment knob will be On.



Note: Ice will build up in the bin at an angle, the distances controlled will be from the sensor to the top of the ice directly beneath it.

The actual distance between the highest point of the ice may be closer or further away, depending upon the angle of the ice.

C2648 E

Remote Condenser Models - User Manual

Options and Other Information

Smart-Board

When this option is present there is an additional display panel in the area below the main control board. It is not visible when the front panel is on.

The Smart-Board's features include:

- Seven day programmable ice level setting when used with the optional Vari-Smart ice level control
- Recording of machine operation, including cycle time.
- Calculation of average cycle time
- Recall of malfunctions with the time they occurred.

Ice

The cuber drops ice in large sections. That ice will break up into random parts as it falls into the bin, but some large sections may remain on top of the ice in the bin.

Heat

Most heat is exhausted at the remote condenser. The ice machine head should not generate significant heat.

Noise

The ice machine will make noise when it is in ice making mode. The compressor and water pumps all produce some sound. It is also normal to hear some cracking just before the harvest cycle begins.

The ice harvests as a unit or slab, which makes some noise when it impacts the bin. These noises are all normal for this machine.

Caution: Do not place anything on top of the ice machine, including the ice scoop. Debris and moisture from objects on top of the machine can work their way into the cabinet and cause serious damage. Damage caused by foreign material is not covered by warranty.

C2648 E

Remote Condenser Models - User Manual

Cleaning, Sanitation and Maintenance

This ice system requires three types of maintenance:



- Remove the build up of mineral scale from the ice machine's water system and sensors.
- Sanitize the ice machine's water system and the ice storage bin.
- Clean the remote condenser.

It is the User's responsibility to keep the ice machine and ice storage bin in a sanitary condition. Without human intervention, sanitation will not be maintained. Ice machines also require occasional cleaning of their water systems with a specifically designed chemical. This chemical dissolves mineral build up that forms during the ice making process.

Sanitize the ice storage bin as frequently as local health codes require, and every time the ice machine is cleaned and sanitized.

The ice machine's water system should be cleaned and sanitized a minimum of twice per year.

1. Remove front panel.
2. Push and release the Clean button. Machine will go thru a manual harvest and then begin draining the reservoir.
3. Remove the evaporator cover.
4. Remove all ice from the bin.
5. Wait until the Code Display blinks the characters A d 1, then pour 24 ounces of Scotsman Clear 1 Scale remover into the water reservoir. The machine will go through a circulation and flushing cycle and then shut off, displaying *g*. This will take 35 minutes.
6. Check for scale, repeat steps 2 thru 5 if scale is still evident.
7. Disconnect pump hoses from water distributors.
8. Depress snaps and pull water distributors forward and out of the machine. Remove covers and inspect for scale. Remove any remaining scale. Set aside.
9. Remove evaporator covers, set aside.
10. Remove right side panel and liner, set aside.
11. Remove all three curtains. Set aside.
12. Twist counterclockwise and lift water pumps up and tip to one side.
13. Remove front water reservoir cover plate, set aside.
14. Remove sump cover and water level sensor, set sump cover aside.
15. Pull water reservoir forward; tip up and out of the machine.
16. Create a solution of sanitizer by missing 1 gallon (4 liters) of clean, warm potable water (105° – 115° F) with 1.6 oz of nu-Calgon IMS.
17. Thoroughly wash the water reservoir cover plate, sump cover, water distributors, distributor covers, evaporator covers, right side panel liner, curtains and reservoir with the sanitizer solution.
18. Thoroughly wash the shelf of the ice machine cabinet where the reservoir was resting.
19. Thoroughly wash the interior of the evaporator compartments including the back panels and evaporator edges.
20. Return the reservoir to its original position
21. Return the sump cover, water level sensor, water distributors with covers, pump hoses, evaporator covers, right side panel liner and curtains to their original positions on the ice machine.
22. Return the pumps to their normal positions.
23. Pour one gallon of the sanitizer solution into the reservoir.
24. Push and release the yellow Clean button.

	CAUTION
	<p>Scotsman Ice Machine Cleaner contains acids. These compounds may cause burns.</p> <p>If swallowed, DO NOT induce vomiting. Give large amounts of water or milk. Call Physician immediately. In case of external contact, flush with water.</p> <p>KEEP OUT OF THE REACH OF CHILDREN</p>

C2648 E Remote Condenser Models - User Manual

25. Operate the machine until it stops.
26. Return all removed panels to their original positions.
27. Push and release the green ON button to resume ice making. Remove and discard all ice.

Clean Storage Bin

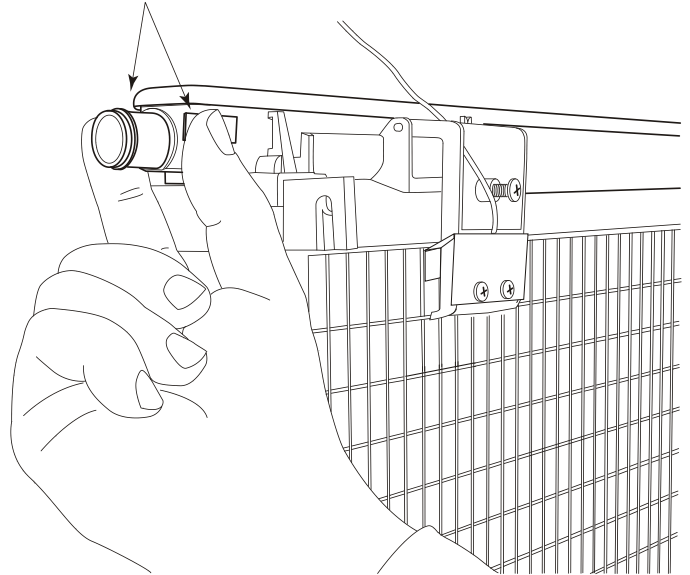
Mix a solution of Scotsman Clear 1 ice machine scale remover and wash all interior surfaces of the ice storage bin to remove any mineral scale build up. Pour excess cleaner solution into the bin's drain.

Mix a solution of sanitizer and thoroughly wash all interior surfaces of the ice storage bin. Pour excess sanitizer solution into the bin's drain.

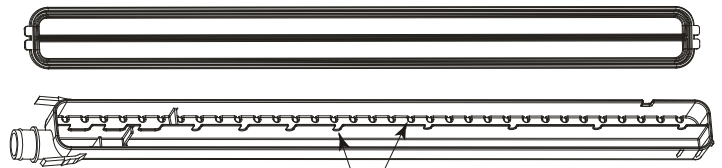
Water filters

If the machine has been connected to water filters, check the cartridges for the date they were replaced or for the pressure on the gauge. Change cartridges if they've been installed more than 6 months or if the pressure drops too much when the ice machine fills with water.

Squeeze Tabs Together, Slide Out Until it Stops, Then Lift To Remove



Remove Water Distributor



Inspect Orifice Holes

Inspect Water Distributor

C2648 E

Remote Condenser Models - User Manual

Remote condenser and other maintenance

The condenser fins will need to be cleaned.

Push and release the Off button. Wait until the machine stops.

Note: Lock out the controller or the ice machine power supply to prevent an unauthorized fan motor restart.

If there is imbedded grease, use a commercial coil cleaner to wash out the grease. Dust can be blown out with compressed air from the inside or use a vacuum cleaner and soft brush. Be careful not to damage the condenser's fins. Use a fin comb to straighten any bent fins.

Exterior Panels

The front and side panels are durable stainless steel. Fingerprints, dust and grease will require cleaning with a good quality stainless steel cleaner.

Water Level Sensor

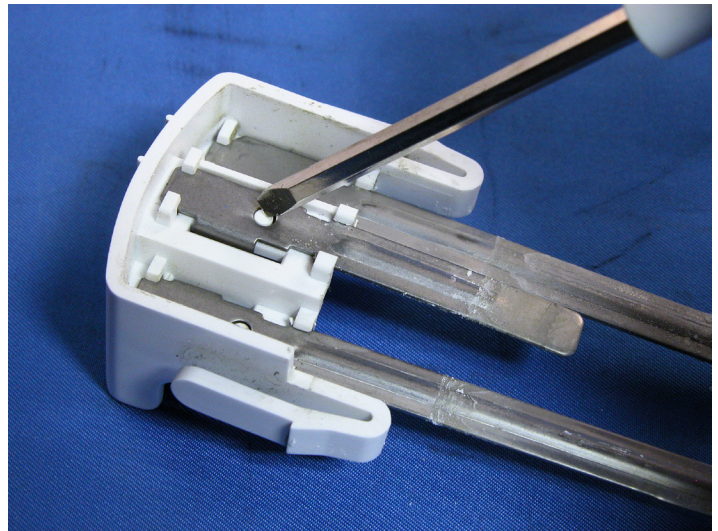
The water sensor probes and probe housing must be cleaned regularly.

Locate water level sensor. Squeeze catches together and pull up to remove sensor. Unplug from harness. Separate probes from housing and wash all surfaces with ice machine scale remover solution.

Note: Be sure white holder is clean.

Return probes to holder.

Release probes by pushing in on white buttons and pulling probe down out of holder.



Technical Highlights

- 3 Evaporators
- 3 Thermostatic Expansion Valves
- 3 Harvest Assist Solenoids
- 3 Hot Gas Valves
- 1 OPR valve

Ice making or the freeze cycle is controlled by an ice thickness sensor on the far left evaporator.

When the ice is the correct size the controller switches the machine to a harvest cycle.

All three hot gas valves open at the same time.

Harvest continues until all 3 curtains have opened. After all 3 curtains have opened and re-closed, the freeze cycle restarts.

If one or more of the curtains stay open for 30 seconds or longer, the controller switches the machine off (closes the liquid line solenoid valve then shuts the compressor off) and signals bin full. It will restart ice making when all three curtains are closed.

The OPR valve is set to limit dome pressure during harvest to 80 PSIG.

The optional KVS (Vari-Smart) sensor location is in the base behind the compressor.

C2648 E

Remote Condenser Models - User Manual

What to do before calling for service

Reasons the machine might shut itself off:

- Lack of water.
- Freeze cycle takes too long.
- Harvest cycle takes too long.
- High discharge temperature.
- Controller self test failure.
- Very high voltage

Check the following:

1. Has the water supply to the ice machine or building been shut off? If yes, the ice machine will automatically restart within 25 minutes after water begins to flow to it.
2. Has power been shut off to the ice machine? If yes, the ice machine will automatically restart when power is restored.
3. Has someone shut the power off to the remote condenser while the ice machine still had power? If yes, the ice machine may need to be manually reset.
4. Is a curtain open because some ice is stuck under it? If so, remove the ice and the machine should start in a few minutes.

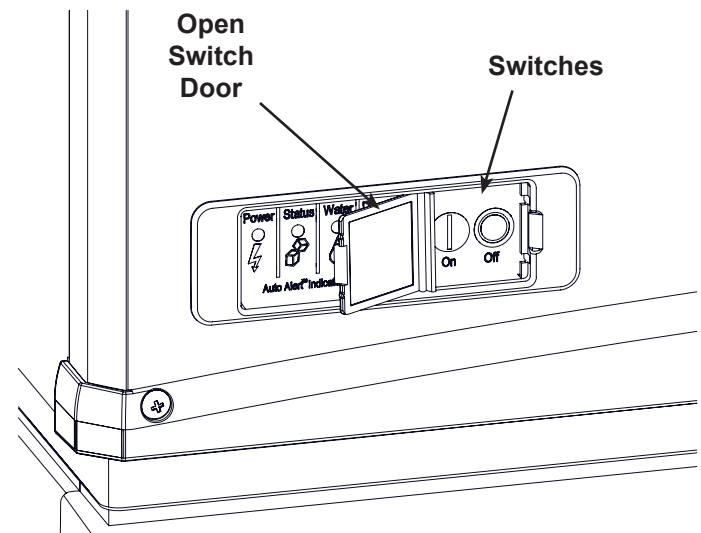
Note: Curtains can be removed & replaced anytime the machine is in a standby mode or when it is in a freeze cycle. Removal of all curtains during harvest terminates harvest at that point and, if left off, will result in the machine shutting off.

To Manually Reset the machine.

1. Open the switch door
2. Push and release the Off button.
3. Push and release the On button.

To Shut the Machine Off:

1. Open the switch door
2. Push and hold the Off button for 3 seconds or until the machine stops.



Reset or Switch Off

SCOTSMAN ICE SYSTEMS

101 Corporate Woods Parkway

Vernon Hills, IL 60061

800-726-8762

www.scotsman-ice.com